

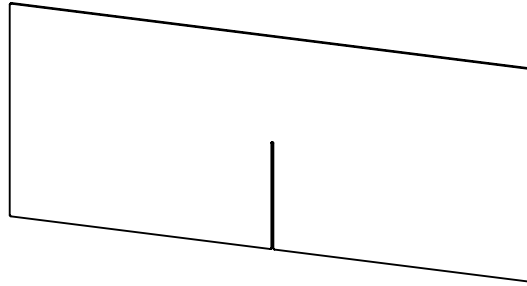
# Cafeteria Table Divider Shield

## ASSEMBLY INSTRUCTIONS

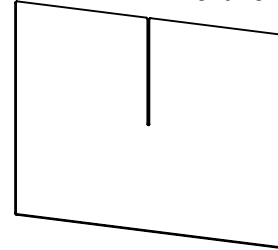
READ ALL INSTRUCTIONS BEFORE YOU BEGIN. DO NOT JUMP AHEAD OF ANY STEP.

### PARTS LIST:

Long  
Divider Panel  
(1 pc)



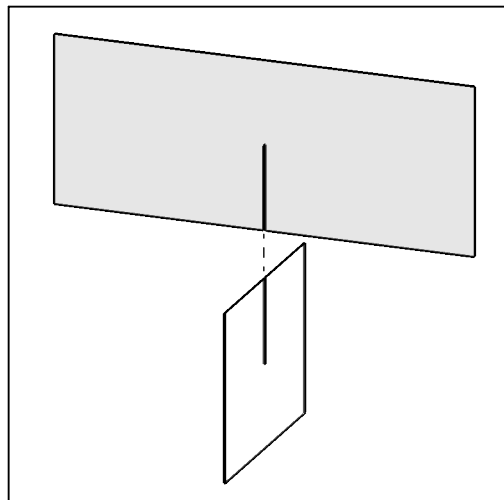
Short Divider Panel  
(1 pc)



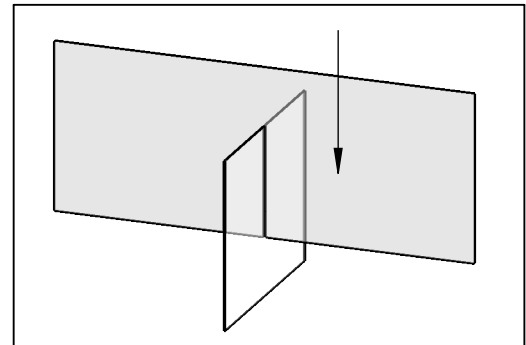
**\*NO TOOLS REQUIRED**  
**\*TWO PERSON ASSEMBLY RECOMMENDED**

**STEP 1:** Peel off the protective plastic film from both sides of Divider Panels.

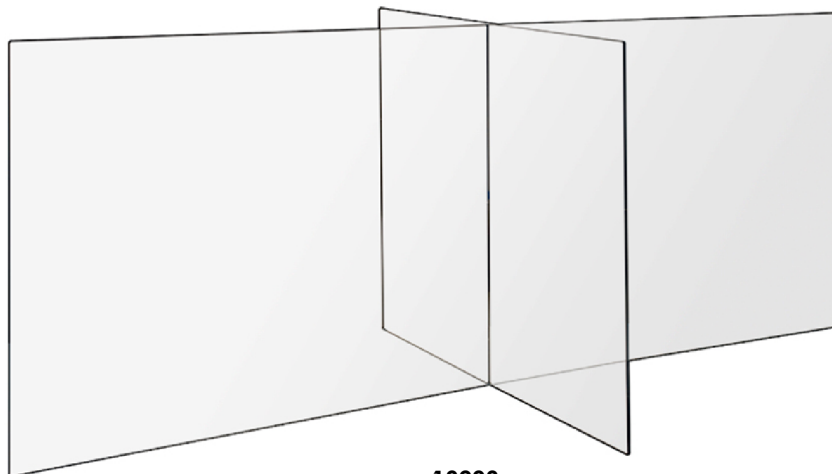
**STEP 2:** Stand the Short Divider Panel up on its long edge with slotted opening facing up. Align center slot of Long Divider Panel (slot facing down) with slot of Short Divider Panel.



**STEP 3:** Slide Long Divider Panel down into slot of Short Divider Panel. When fully engaged, the top edges of both Panels will be flush with each other.



## ASSEMBLY COMPLETED



13203

**NOTE:** To further divide up your space, see  reverse side for additional available 6-way and 8-way kits.

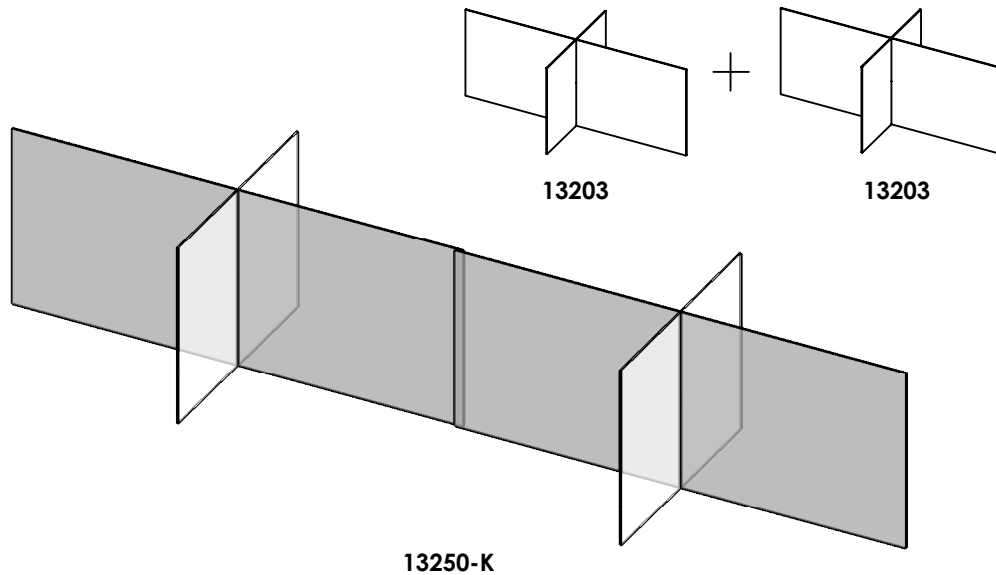
# Cafeteria Table Divider Shield

ASSEMBLY INSTRUCTIONS

READ ALL INSTRUCTIONS BEFORE YOU BEGIN. DO NOT JUMP AHEAD OF ANY STEP.

TO DIVIDE YOUR SPACE INTO **6** SECTIONS:

*Utilize (2) Cafeteria Table Dividers side-by-side, overlapping the panels slightly where they join together in the middle*



TO DIVIDE YOUR SPACE INTO **8** SECTIONS:

*Utilize (2) Cafeteria Table Dividers side-by-side and pair with (1) 4-way Table Divider in the middle, again overlapping the panels where they join together*

